

Sample Preparation for Dioxin Analysis

Four Times Faster with 4 GPC Columns in Parallel



LCTech GmbH
 Bahnweg 41
 84405 Dorfen, Germany
 Tel. +49 (0)8081 9368-0
 www.Lctech.de
 info@Lctech.de



For example:
 At about 4 g fat that can now be given onto the column for gel permeation chromatography (GPC) at one time.

Sequential Handling

The sample is split up into 4 runs that are given onto the GPC column **one after the other**:

GPC Run	Sample Volume	Fat Amount	Time Expenditure
1st run	5 mL	1 g	1 hour
2nd run	5 mL	1 g	1 hour
3rd run	5 mL	1 g	1 hour
4th run	5 mL	1 g	1 hour



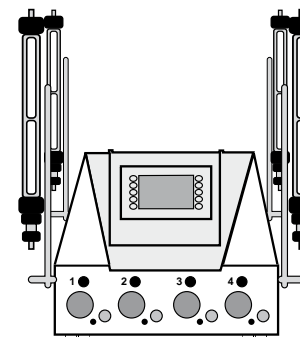
Parallel Handling with GPC quattro

With the GPC quattro **4 GPC columns** can be used in parallel:

4 runs in parallel	4 x 5 mL	4 x 1 g	1 hour
--------------------	----------	---------	--------



GPC quattro



- ✓ **Enormous time saving: 1 hour instead of 4**
- ✓ **All eluats can be collected in one glass flask simultaneously.**

Further information about the GPC quattro at www.Lctech.de