

Compact Peristaltic Pump

3 years warranty
ST-HandyPump

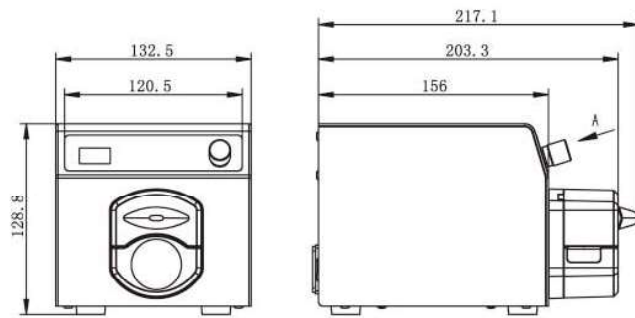


Product Features

- 304 stainless steel shell , resist corrosion. Can be stacked to use.
- Closed-loop stepper motor, compact structure, low noise, low vibration.
- OLED screen display working speed and status. Digital knob control speed, easy operation.
- Support RS232 and RS485 communication.
- Various external control interface.
- Wide voltage design, high versatility.

Model number | ST-HandyPump

Dimension Drawing (Unit: mm)



Pump Head



Technical Specifications

Flow rate range	0.0033~365.69mL/min	Power supply	Output: (24V/1.25A); Input: AC100V-240V, 50Hz/60Hz
Speed range	0.1~300rpm	Communication interface	RS485, RS232
Speed resolution	0.1rpm	Output interface	Output motor working status
Control method	Digital knob control and mechanical keypad	Drive dimension	217.1*132.5*128.5mm(L*W*H)
Motor type	57 closed-loop stepper motor	Weight	2.92Kg
Keypad lifetime	300,000 times	Power consumption	≤75W
Display	OLED display(0.96")	Condition temperature	0-40°C
External control	Start/stop control(switch signal)	Relative humidity	<80%
	Speed: 0-5V, 4-20mA(standard), 0-10V (optional)		

Product Composition and Flow Rate Range

Model	Pump Head	Speed(rpm)	Tubing Size	Flow Rate Range(mL/min)
ST-HandyPump	HandyPump01	0.1-300	13", 14", 19", 16", 25"	0.0033-365.69
	HandyPump02		13", 14", 19", 16"	0.0033-190.76

